

SERIES “A” Microscope

Classical

MEKEY



CHONGQING MIC TECHNOLOGY CO.,LTD

CLASSICAL

Binocular Optical Microscope

- Biological + Stereo Functions 1+1
- Perpendicular Handle
- Innovative Lightening Adjustment
- Swinging Condenser Adjustment
- Swinging Iris Diaphragm Adjustable
- Focus System Tightness Adoptable
- X-Y Coordinated Movable Stage

www.



1 / Monocular Microscope

AC1



INFINITE Achromatic Objective

195 Camera



Monocular Upgraded to Binocular

2 / Binocular Microscope

AC2

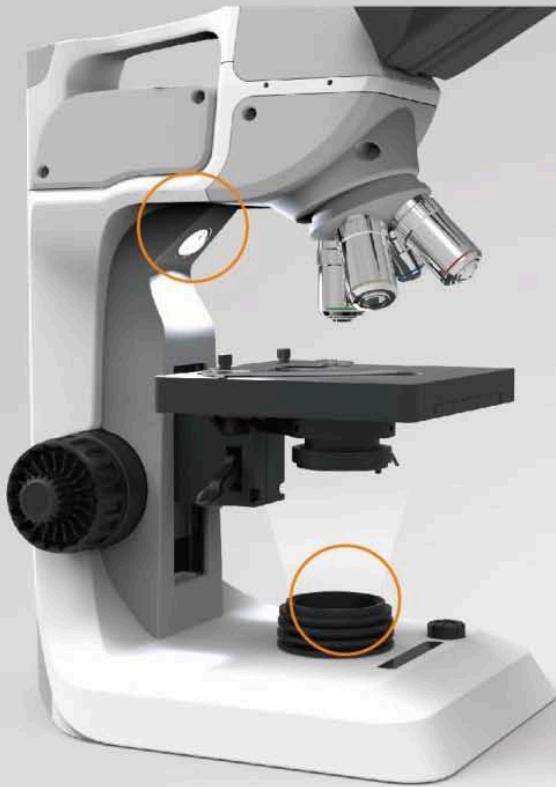


INFINITE Achromatic Objective

Most Basic Monocular Microscope; Could be Upgraded According to Consumer's Need;

The Upgraded Version; Traditional Binocular Microscope Could Also be Upgraded According to Consumer's Need;

1 / Biological + Stereo, Functions 1 + 1



Transmitted Light + Reflected Light

This microscope has a unique design with dual lightening source. Transmitted light+ reflected light allow it to have both biological and stereo functions. It could be used to observe translucent glass slide, plant and insect.

Observation Results with Microscope



2 / Perpendicular Handle Design- Easy to Carry

Perpendicular to Ground, $\leq 90^\circ$

When carrying, the microscope remains stable to prevent fall out of eyepieces and slides.



3 Brand New Illumination Adjustment System



Brightness Intensity Indicator
(Below is an Indication for Level IV)



Lightening Source Indicator

Brightness Intensity & Lightening Source Indicator

There are a total of seven brightness intensity levels showed by blue light; Red illumination in the middle shows what kind of lightening source is being used.



Infinite Rotation

To Prevent Defection.



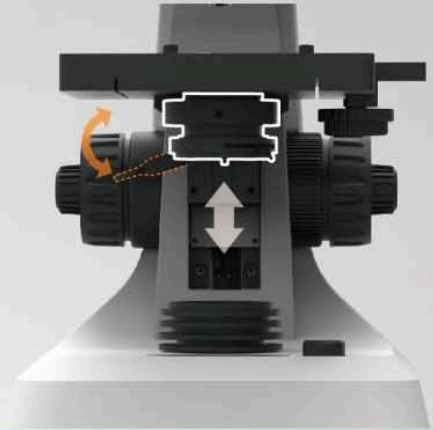
Illumination Sources are changeably be pressing the Adjustment Button

Integrated Design of the power switch allows alteration of illumination sources, turning on and off of the microscope, and brightness intensity adjustment.

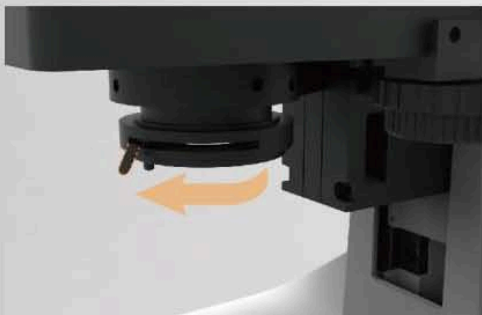
4 / Swinging Condenser Adjustment System



Easy operation and more convenient to use.



5 / Swinging Iris Diaphragm Adjustable



Clock-wise to reduce



Clock-wise to increase



6 / Focus System Tightness Adjustable



● Tightness Adjustable Switch

Focus system's tightness could be adjustable according to user's need to achieve more precise alternation.

7 / X-Y Coordinates Stage



● Movable in Both X and Y Direction

There is no need to adjust slide by hand, which make observation more convenient.



MODEL NUMBERS

AC1	AC2		
			
AS1000		A1000	
			
AS2000	AS2100	A2100	A2100
			
AS3000	AS3100	A3000	A3100
			
AS4000	AS4100	A4000	A4100
			